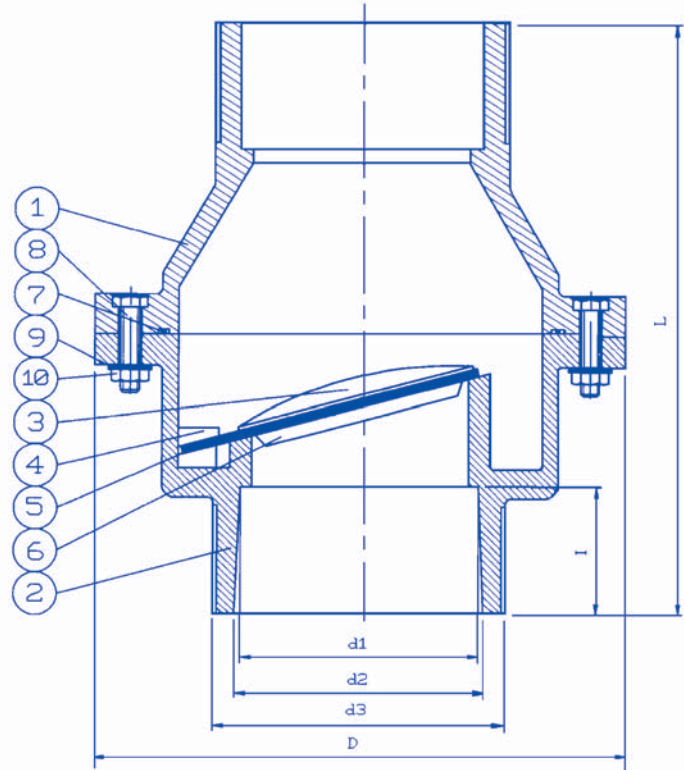




"QUALITY BY DESIGN"

ECONOMY SWING CHECK VALVE ENGINEERING SPECIFICATIONS



PARTS

ITEM	PART	PIECES	MATERIAL
1	UPPER BODY	1	PVC
2	LOWER BODY	1	PVC
3	DISC	1	PVC
4	SET BULGE	1	PVC
5	SHEET GASKET	1	EPDM

ITEM	PART	PIECES	MATERIAL
6	SHEET GASKET HOLDER	1	PVC
7	O-RING	1	EPDM
8	BOLT	10	SUS 304
9	WASHER	10	SUS 304
10	NUT	10	SUS 304

ANSI DIMENSIONS

SIZE	d1	d2	d3	D	I	L
80mm (3")	88.70	89.31	108	196	47.63	221
100mm (4")	114.07	114.76	133	210	57.15	271

25.4mm = 1" (inch)