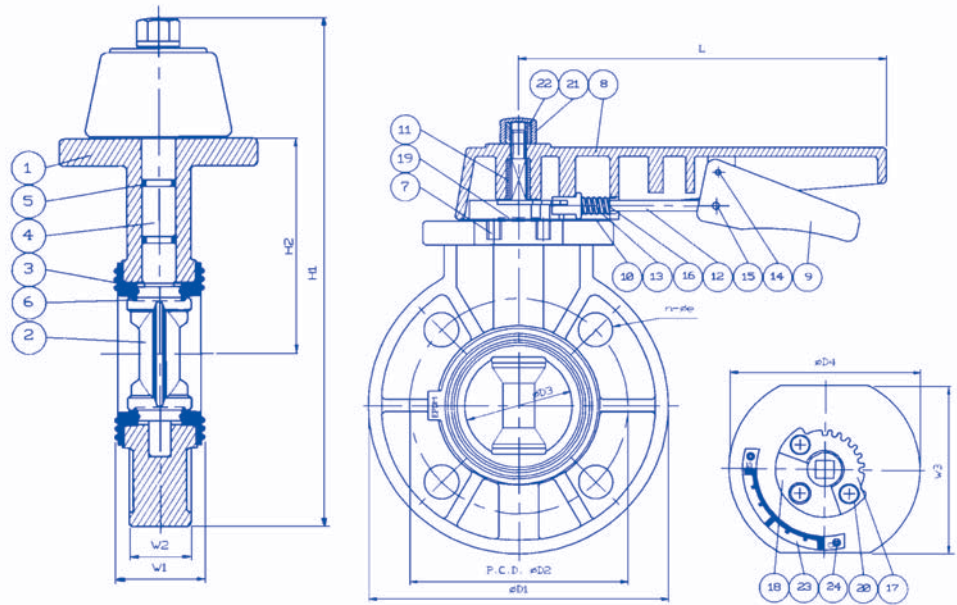




"QUALITY BY DESIGN"

PVC VALVES
ENGINEERING SPECIFICATIONS
APPENDIX D

LEVER HANDLE BUTTERFLY VALVE
ENGINEERING SPECIFICATIONS



PARTS

ITEM	PART	PIECES	MATERIAL
1	BODY	1	PVC
2	DISC	1	PP
3	SEAT SEAL	1	EPDM, FPM
4	STEM	1	SUS 410
5	O-RING	2	EPDM, FPM
6	O-RING	2	EPDM, FPM
7	INSERTED NUT	3	SS 41
8	LARGE HANDLE	1	ABS
9	SMALL HANDLE	1	ABS
10	SPRING LOCK	1	ABS
11	HANDLE INSERT	1	SS
12	HANDLE LEVER	1	SUS 304

ITEM	PART	PIECES	MATERIAL
13	SPRING	1	SUS 304
14	SPRING PIN	1	SUS 304
15	SPRING PIN	1	SUS 304
16	WASHER	1	SUS 304
17	LOCKING PLATE	1	SUS 304
18	GEAR SEAT	1	PP + GF
19	WASHER	1	SUS 304
20	BOLT	3	SUS 304
21	NUT	1	PVC
22	INSERT NUT	1	C3604
23	LEVER	1	SUS 304
24	RIVET	2	SS

ANSI DIMENSIONS

SIZE	D1	D2	D3	D4	L	H1	H2	W1	W2	W3	n-øe	TEST PRESSURE Lb/in ²
50mm (2")	165	120.4	56.5	105	203	246	103	42	35	93	48	225
65mm (2 1/2")	185	139.5	70	120	203	266	113	46	37	94	58	225
80mm (3")	200	152.4	79	123	203	276	115	46	37	94	65	225
100mm (4")	229	190.5	103	135	254	318	135	56	47	100	75.5	225
150mm (6")	285	241.5	151	169	304	405	177	71	62	100	88	225
200mm (8")	343	298.5	200	200	304	466	210	87	68	120	107.5	225

25.4mm = 1" (inch)